

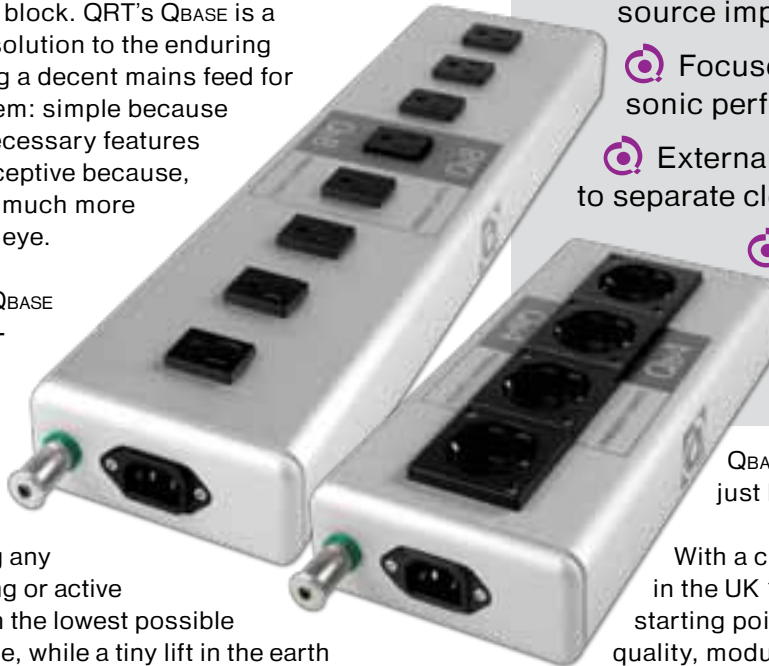


QBASE Audiophile AC Distribution Unit

The heart of any high-quality AC supply is solid grounding – and the best way of achieving that is with a star-earthed distribution block. QRT's QBASE is a deceptively simple solution to the enduring problem of achieving a decent mains feed for your hi-fi or AV system: simple because it's shorn of all unnecessary features or complication, deceptive because, despite that, there's much more here than meets the eye.

The essence of the QBASE concept is a straight-line AC distribution path, combined with a star-grounded topology for connection to a clean ground spike. By eliminating any form of in-line filtering or active circuitry we maintain the lowest possible AC supply impedance, while a tiny lift in the earth impedance of all but one of the output sockets routes the signal grounds directly to the center of the star and the clean ground terminal. Clearly identified on the casework, this Primary Earth socket is at the center of your system's performance, literally and metaphorically. It defines both the order in which you connect your components and also, their listening priority in your musical enjoyment, allowing you to further optimize the performance of your primary sources.

The sockets themselves are mounted on a solidly constructed aluminum extrusion with machined end-caps that deliver a reassuring sense of substance. But the casework has far greater significance than that, the metal pieces and internal PCB (deliberately preferred to hard-wiring) constituting a single, mechanically tuned construction, designed specifically to enhance performance. Compare the musical performance of the



- ⊗ Straight-line, low loss design maintains low source impedance of AC supply.
- ⊗ Focused star ground for superior sonic performance
- ⊗ External ground post for connection to separate clean ground
- ⊗ Mechanical tuned casework
- ⊗ First step in Quantum QRT's modular approach to AC supply quality

QBASE to the competition and you'll hear just how effective this is.

With a choice of four or eight AC sockets (six in the UK 13A version), the QBASE is the perfect starting point in the construction of a high-quality, modular AC supply for your system, while its compact dimensions mean that it can be easily combined with one or more Qx power purifiers or Qv AC Line Harmonizers as funds allow.

QBASE – delivering the performance you've already bought

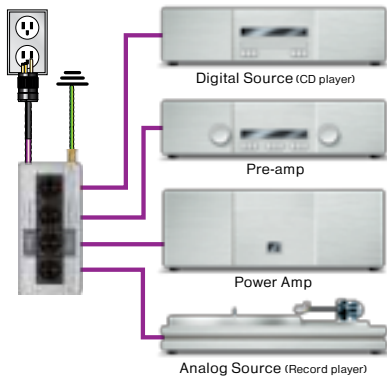
QRT QBASE units are available fitted with US (NEMA), Eu (Schuko) or Australian outlets and in four and eight socket versions. The UK 13A model is only available in a six-outlet configuration, due to the size of the sockets. All QRT units carry a two-year warranty.



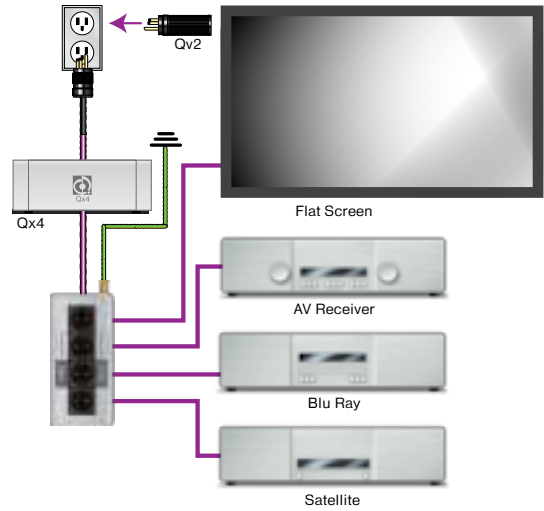
Instructions included and also available from:

www.nordost.com

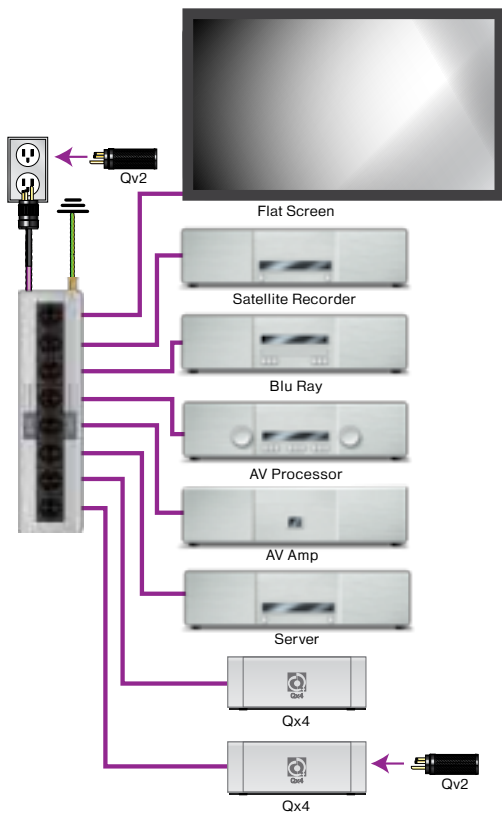
Using The QBASE



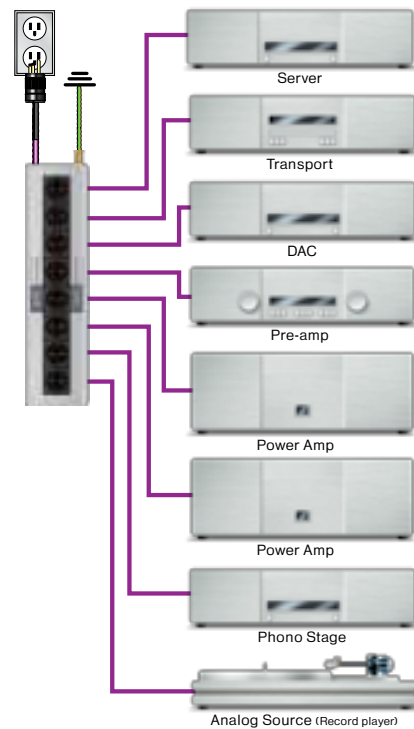
QB4 used to power a simple two-channel system



QB4 used along with a Qx4 and Qv2, to power a simple AV system



QB8 used with two Qx4s and two Qv2s in a high-quality AV system



Basic QB8 installation in a complex, two-channel set-up

QRT™

Distributed worldwide by

NORDOST