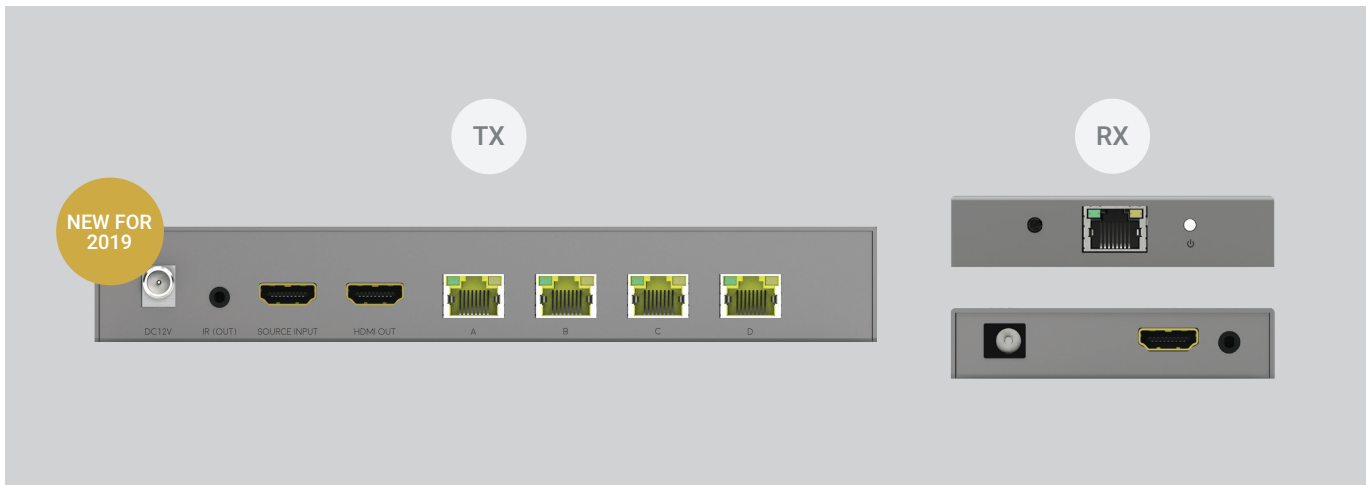


# XTND 4K (1x4+1) Splitter

Product code: XTND4K141TPC



Designed for the most modern home entertainment market requirements, the XTND 4K 1x4+1 is fully HDMI 2.0 compatible, boasting 18Gb/s HDMI interfaces that support the latest 4K HDR video content as well as 1080p, and Dolby Atmos surround sound. This is distributed over a single Cat6 cable to 4 display locations, up to 30m/60m away with no latency, providing PoE power to the receivers, plus 1 HDMI out for a local display or daisy-chaining with another XTND or HDMI device.

Tipping Point Compression (TPC) enables the transmission of premium UHD/4K 60Hz 4:4:4 content, including (HDR10) over a single Cat6 cable, with no human-perceivable difference in video quality.

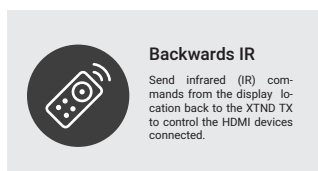
## Features

HDMI® 2.0 (a/b) HDCP 2.2 compliant
18Gbps data rate throughout (up to 30m)
Supports all resolutions up to and inc. Ultra HD 4K 60 4:4:4
Supports all current High Dynamic Range (HDR) formats.
Supports all current audio formats up to Dolby Atmos® and DTS:X®
HDMI loop port on hub
All display receivers powered via PoE
UK / EU / AU / US multi-territory adapters included

## Specification

Form factor	Aluminium chassis
Inputs x outputs	1 HDMI x 4 RJ45 HDBiT + 1 HDMI
Transmission tech.	TPC
Video bandwidth	594MHz clock / 18Gbps data
ESD protection	± 8kV (air-gap discharge) ± 4kV (contact discharge)
Hub control	N/A
App control	N/A
Device weight	575g
Package weight	1500g
Dimensions (W/D/H)	102.5 / 212.6 / 31 mm
Power	DC12V/3A
Operating temperature	32°F to 104°F (0°C to 40°C)
Storage temperature	-4°F to 140°F (-20°C to 60°C)
Relative humidity	20~90 % RH (non-condensing)
Power consumption	30W (max) 0.5W (standby)
Guarantee	2 Years

## Control



# XTND4K141TPC

Product Code: XTND4K141TPC

## LEGEND



HDMI Cable



IR Cable



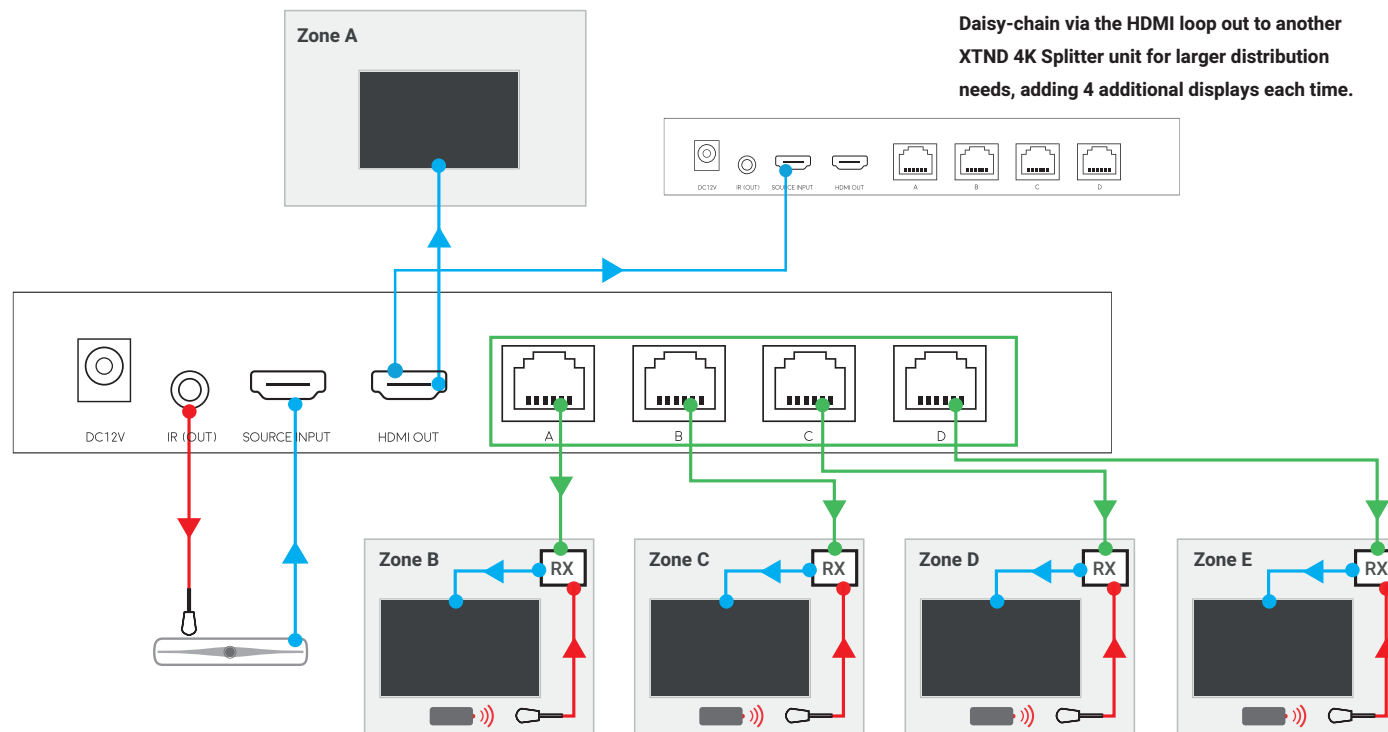
Cat Cable



IR Receiver



IR Signal



**HDANYWHERE.COM**

Hereby, HDANYWHERE™ declares that this HDMI connectivity device is in compliance with the essential requirements and other relevant provisions of the following Directives: 2006/95/EC (LVD Directive); 2004/108/EC (EMC Directive); 999/5/EC (R&TTE Directive); HD CONNECTIVITY LTD, trading as HDANYWHERE registered in England and Wales. Company No. 06046737 Registered office: Unit 23 Link Business Centre, Link Way, Malvern, Worcestershire, WR14 1UG. Contact: support@hdanywhere.com Tel: 00441684575324