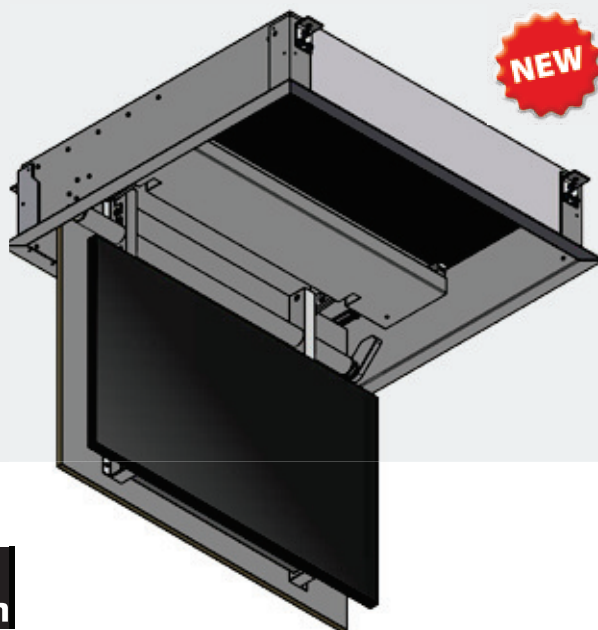


Flat Panel Lift SWING DOWN

Not enough space to install a Flat Panel Lift vertically in the ceiling? Why not install it horizontally and watch it swing down into position ready for use!

Providing a unique solution to limited space situations, the Swing Down Interfit Flat Panel Lifter is designed using a single integrated box design with ceiling edge cover strips and fitted door for a simple, modular single trade installation.

Adjustable to swing up to 20 degrees past the vertical plane, the Swing Down Interfit Flat Panel Screen Lifter ensures Flat Panel visibility for the viewing audience from boardroom to bedroom.



The Interfit Flat Panel Lift Your lifter by choice.

BENEFITS

- Mechanical Lifting Arms
- Fail-Safe Mechanism
- Easy, Single Trade Installation

APPLICATIONS

- Home Theatre
- Boardroom Presentation
- Educational Facilities



Available from October 2013

Item No	Panel Size Guide (only)	Lifting Capacity
1481150	32" to 42"	20kg
1481300	42" to 50"	25kg
1481450	50" to 55"	25kg

PRODUCT FEATURES

Description: Ceiling Mounted horizontally mounted Swing Down Lifting Device for Flat Panel Monitors.

Construction: Powder coated aluminium frame & mechanism

Features: Integrated door opening solution with Ceiling Edge Cover Strips, mechanism Cover Blind - fail safe mechanism

Installation: Caged one piece unit, utilising nutserts for 'L' Brackets or eyebolts for chain install.

Sizes: 3 sizes available.

Tech Drawing
Hyperlink :



Ultra smooth and stable mechanism with integrated door solution!



For more information on this product and its release date please contact the sales office.



For more information on the Interfit Flat Panel Swing Down please see our website or click here